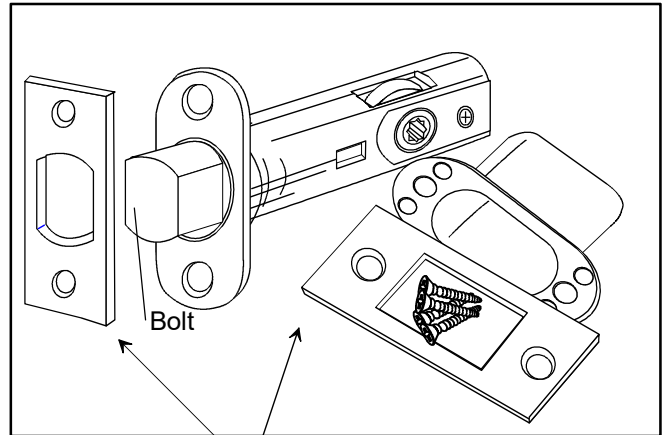
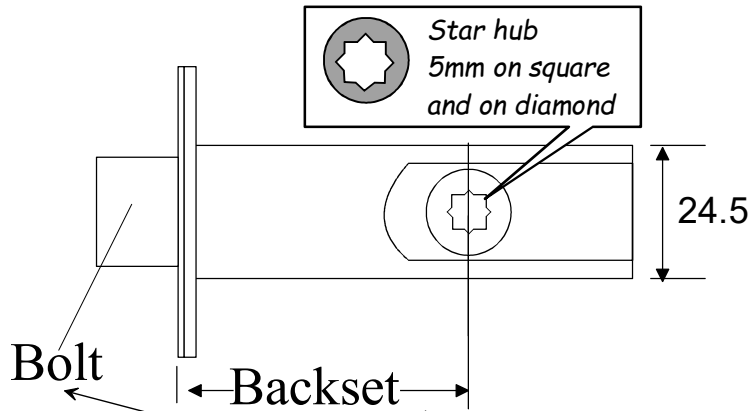


Baton Security Products, Inc

11521 Salinaz Avenue,
Garden Grove, California 92843, USA
Tel:(714) 590 6969 Fax:(714) 590 6960
Email address : Sales@batonlockusa.com

baton[®]
Security Products
www.batonlockusa.com

Form QF-LT 78CM Quote Request - Custom Mortise Bolt



	Latch function	Finish Latch Bolt	Backset	Finish Face plate/Strike	Quantity	Price / net per each
1	<input type="checkbox"/> LT78C MB 5B Custom made Mortise Bolt <input type="checkbox"/> LT78C MB 5N Custom made Mortise Bolt	<input type="checkbox"/> B Brass <input type="checkbox"/> N Nickel plated				
2	<input type="checkbox"/> LT78C MB 5B Custom made Mortise Bolt <input type="checkbox"/> LT78C MB 5N Custom made Mortise Bolt	<input type="checkbox"/> B Brass <input type="checkbox"/> N Nickel plated				
3	<input type="checkbox"/> LT78C MB 5B Custom made Mortise Bolt <input type="checkbox"/> LT78C MB 5N Custom made Mortise Bolt	<input type="checkbox"/> B Brass <input type="checkbox"/> N Nickel plated				
4	<input type="checkbox"/> LT78C MB 5B Custom made Mortise Bolt <input type="checkbox"/> LT78C MB 5N Custom made Mortise Bolt	<input type="checkbox"/> B Brass <input type="checkbox"/> N Nickel plated				
5						
6						

Contact info: _____

Company _____

Add: _____

City _____ St _____ zip _____

Tel: _____ - _____ Fax: _____ - _____

Email: _____

Custom made products are constructed with the specifications requested. Baton warrants that the product will be functioning according to all the specifications and operating parameters of our original product line. No guarantee exists on product functions within specifications of others' make. **50% deposit required for custom made items, no-return and no-refund.**

Lead time : _____ working days