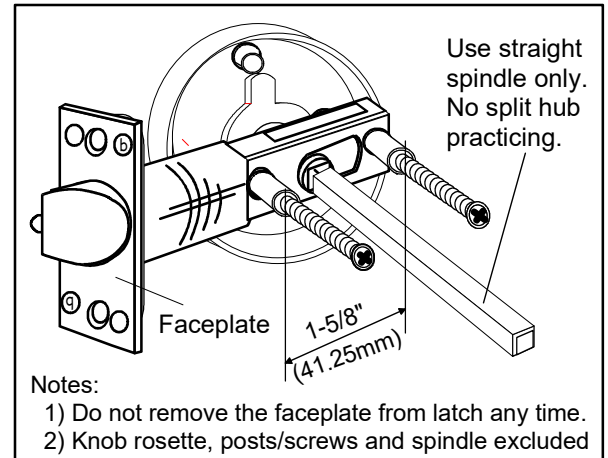
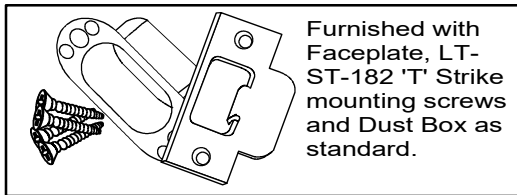
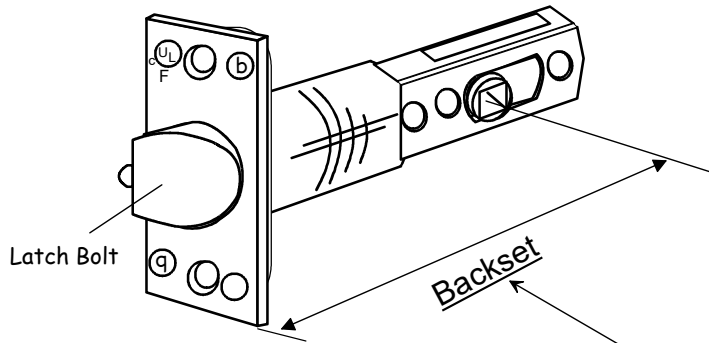


Baton Security Products, Inc

11521 Salinaz Avenue,
Garden Grove, California 92843, USA
Tel:(714) 590 6969 Fax:(714) 590 6960
Email address : Sales@batonlockusa.com

baton[®]
Security Products
www.batonlockusa.com

Form QF-LT 36C Quote Request - Custom Entrance Latch



	Trim Style Spring strength	Latch function	Finish Latch Bolt	Finish Face plate/Strike	Backset	Quantity	Price / net per each
1	LT36C -KE8B Knob/Knob	Entrance	B Satin Brass				
2	LT36C -KE8B Knob/Knob	Entrance	B Satin Brass				
3	LT36C -KE8B Knob/Knob	Entrance	B Satin Brass				
4							
5							
6							

Contact info: _____

Company _____

Add: _____

City _____ St _____ zip _____

Tel: _____ - _____ Fax: _____ - _____

Email: _____

Custom made products are constructed with the specifications requested. Baton warrants that the product will be functioning according to all the specifications and operating parameters of our original product line. No guarantee exists on product functions within specifications of others' make. **50% deposit required for custom made items, no-return and no-refund.**

Lead time : _____ working days