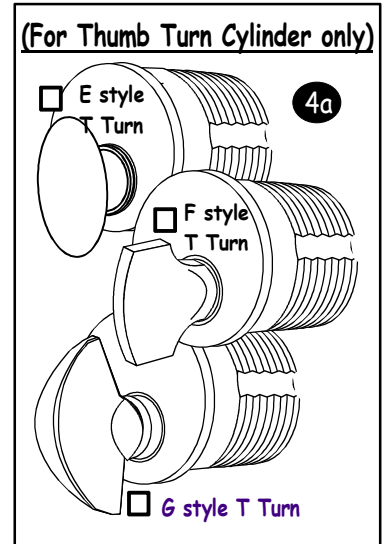
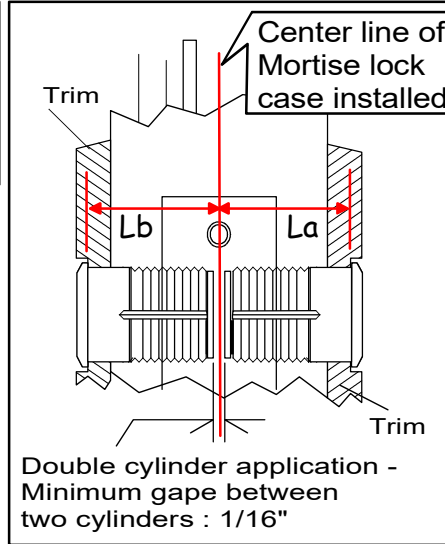
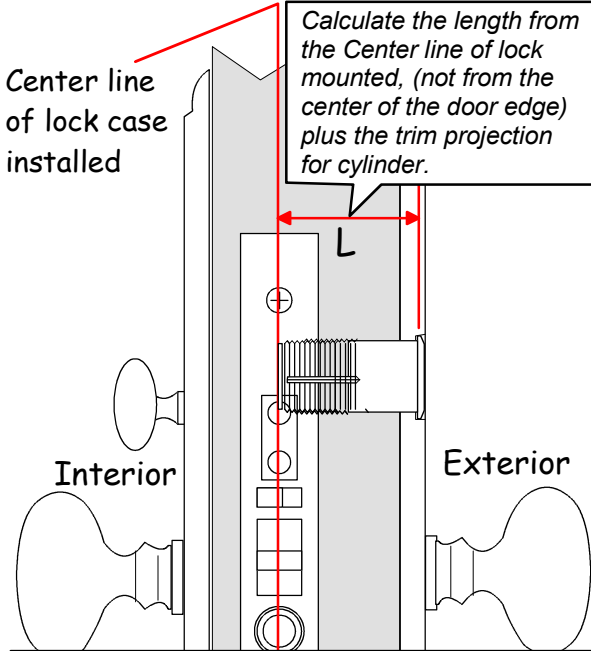


Baton Security Products, Inc

11521 Salinaz Avenue,
Garden Grove, California 92843, USA
Tel:(714) 590 6969 Fax:(714) 590 6960
Email address : Sales@batonlockusa.com

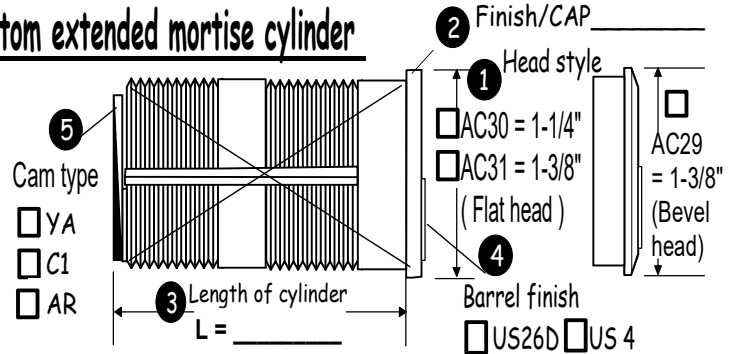
baton[®]
Security Products
www.batonlockusa.com

Form QF-A11 Quotation Request / Confirmation for custom mortise cylinder



Custom made products are constructed with the specifications requested. Baton warrants that the product will be functioning according to all the specifications and operating parameters of our original product line. No guarantee exists on product functions within specifications of others' make. **50% deposit required for custom made items, No-return and No-refund.**

Custom extended mortise cylinder



Item	1 Cyl Head style	2 Cap Finish	Length (L) 3	Cyl function (pick one)			5 Cam type	Quantity	Unit price net each
				4 Key cyl Barrel Finish / pin	4a T turn cyl (T turn type)	4a			
1	<input type="checkbox"/> AC29 <input type="checkbox"/> AC31 <input type="checkbox"/> AC30 <input type="checkbox"/>			<input type="checkbox"/> US26D <input type="checkbox"/> 5pin <input type="checkbox"/> US 4 <input type="checkbox"/> 6pin	<input type="checkbox"/> E <input type="checkbox"/> G <input type="checkbox"/> F <input type="checkbox"/>	<input type="checkbox"/> 4a	<input type="checkbox"/> YA <input type="checkbox"/> C1 <input type="checkbox"/> YB <input type="checkbox"/> AR		
2	<input type="checkbox"/> AC29 <input type="checkbox"/> AC31 <input type="checkbox"/> AC30 <input type="checkbox"/>			<input type="checkbox"/> US26D <input type="checkbox"/> 5pin <input type="checkbox"/> US 4 <input type="checkbox"/> 6pin	<input type="checkbox"/> E <input type="checkbox"/> G <input type="checkbox"/> F <input type="checkbox"/>		<input type="checkbox"/> YA <input type="checkbox"/> C1 <input type="checkbox"/> YB <input type="checkbox"/> AR		
3	<input type="checkbox"/> AC29 <input type="checkbox"/> AC31 <input type="checkbox"/> AC30 <input type="checkbox"/>			<input type="checkbox"/> US26D <input type="checkbox"/> 5pin <input type="checkbox"/> US 4 <input type="checkbox"/> 6pin	<input type="checkbox"/> E <input type="checkbox"/> G <input type="checkbox"/> F <input type="checkbox"/>		<input type="checkbox"/> YA <input type="checkbox"/> C1 <input type="checkbox"/> YB <input type="checkbox"/> AR		
4	<input type="checkbox"/> AC29 <input type="checkbox"/> AC31 <input type="checkbox"/> AC30 <input type="checkbox"/>			<input type="checkbox"/> US26D <input type="checkbox"/> 5pin <input type="checkbox"/> US 4 <input type="checkbox"/> 6pin	<input type="checkbox"/> E <input type="checkbox"/> G <input type="checkbox"/> F <input type="checkbox"/>		<input type="checkbox"/> YA <input type="checkbox"/> C1 <input type="checkbox"/> YB <input type="checkbox"/> AR		

Contact: _____

Co: _____

Add _____

email

Tel: _____ - _____