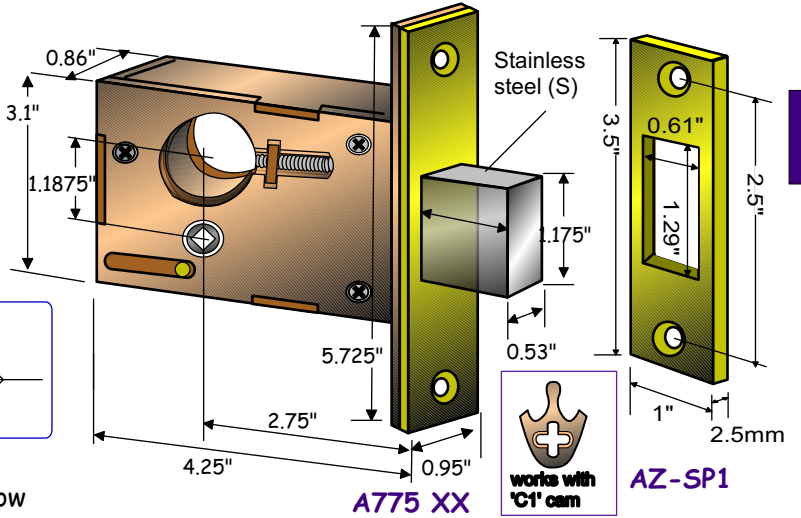
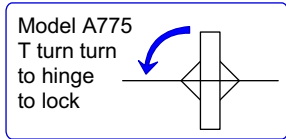


The Mortise Dead Lock case is made of heavy wrought steel, zinc plated, constructed with a 1" throw deadlocking bolt or bolt with double hooks. The Bolt can be operated by mortise cylinder and or thumb turn either side or both sides. The thumb turn is turned to jam side to unlock.

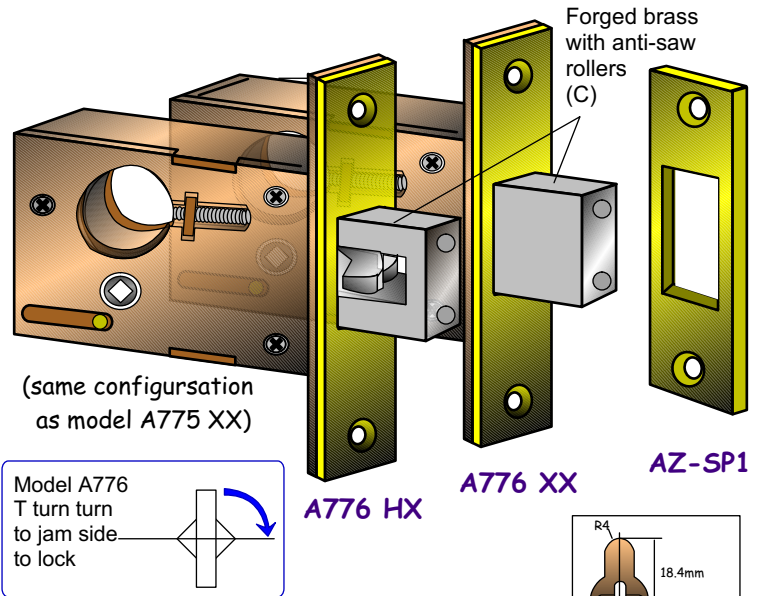
Three models are available to your choice:



Model A775XX5S is featured with 1" throw solid one piece constructed stainless steel deadbolt, fits for swing door.

Model A776XX5C is featured with satin chrome plated forged brass deadbolt. The case has the same configuration as model A775, but the interior T Turn is turned to jam side to lock.

Model A776HX5C - same as A776XX5C, and featured double hooks on deadbolt throw, ideal for both swing and sliding door applications.



Furnished with Faceplate, Strike (AZ-SP1) and mounting Screws as standard. Strike Unit AZ-SK2 (page followed) is optional.

Hub size : 5.1mm on diamond.

Backset : 2-3/4" (70mm)

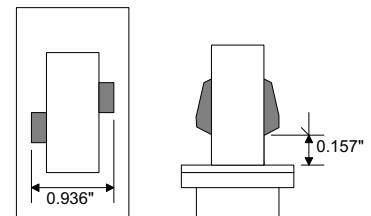
Finishes: 10B, 15A, 26D, 3

Stock No.	Description	T turn locking direction
A775XX5S	Mortise Dead Lock Case, 2-3/4"	Turn to hinge side to lock
A776XX5C	Mortise Dead Lock Case, 2-3/4"	Turn to jam side to lock
A776HX5C	Mortise Hook Lock Case, 2-3/4"	Turn to jam side to lock

Note:

1) Cylinder excluded for Dead lock Case. Please refer to Page A21, A22 for Series 'AC' Solid Brass Mortise Cylinders, and page A23 and D03 for the Security Collars.

2) Thumb Turn - please refer to for 'TX' series per page T24.

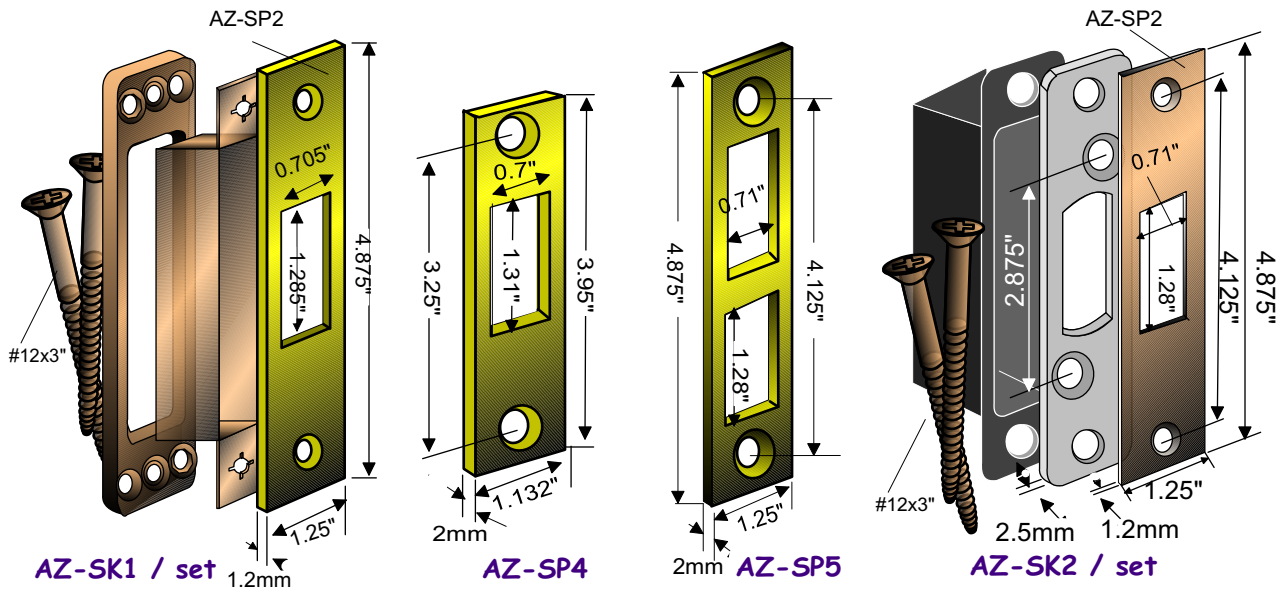
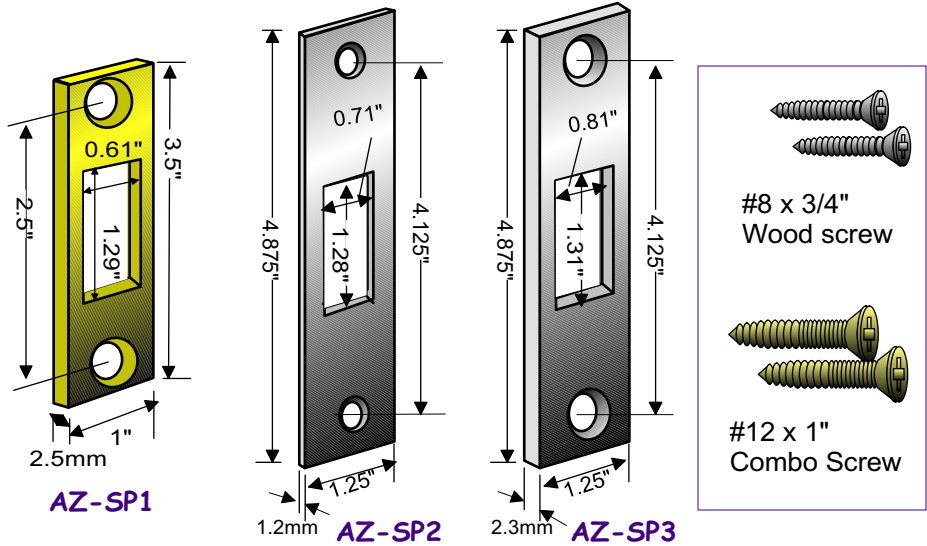


Strike and Strike Block Unit

A21

Strikes Block Unit, Strike Block Assemblage and Strikes in various sizes for Deadlock, Hocklock/Pocket locks are stocked constantly for your convenience.

The Strike Block Units consist of the finished Strike, inner Strike, 3" long bolting Screws, a Dust Box and Strike Screws. The two 3" long wood screws allow the Security Strike to be bolted into the door frame deeply for additional security.



Stock No	Description	Finishes on hand	Mounting screws	Lock case to use	Dust Box
AZ-SP1	Strike, 3.5"	10B,15A,26D,3	#12 x1" combo	A775	n/a
AZ-SP2	Strike, 4.875"	10B,15A,19,26D,3,4	#8x 3/4" wood s	A751, A775	AZ-G1
AZ-SP3	Strike, 4.875"	10B,15,19,26D,3,4,32D	#12 x1" combo	A754, A756	AZ-G1
AZ-SP4	Strike, 3.95"	10B,15,19,26D,3,4,32D	#12 x1" combo	A775	n/a
AZ-SP5	Strike, 4.875"	10B,15,19,3	#12 x1" combo	A752, A753, A757, A758	AZ-G1
AZ-SK1	Strike Block Unit	10B,15A,19, 26D,3,4	#8x 3/4" wood s	A751, A775	AZ-G1
AZ-SK2	Strike Block Unit	10B,15A,19, 26D,3,4	#8x 3/4" wood s	A751, A775	AZ-G2