

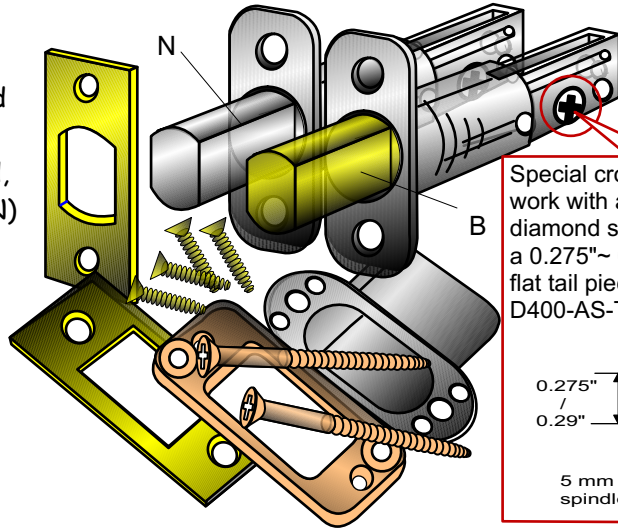
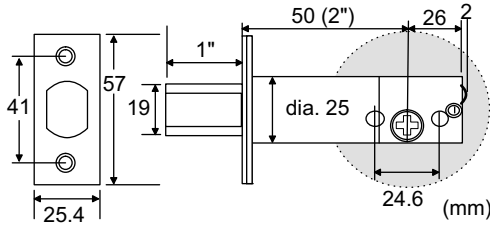


D400-DA50 2" Deadbolt Latch & LT880 KV/LV 2" Tubular Latch

Model D400-DA50

Heavy Duty Deadbolt Latch, 2"

- Case : Die Cast Zinc Alloy, nickel plated
- Bolt : Solid brass features anti-saw hardened steel roller/concealed, satin brass (B) or satin nickel (N)
- Backset : 50mm (2")



Special cross hub, to work with a 5mm on diamond spindle and/or a 0.275"~ 0.29" wide flat tail piece (=Baton D400-AS-T232)

0.275" / 0.29" wide flat tail piece

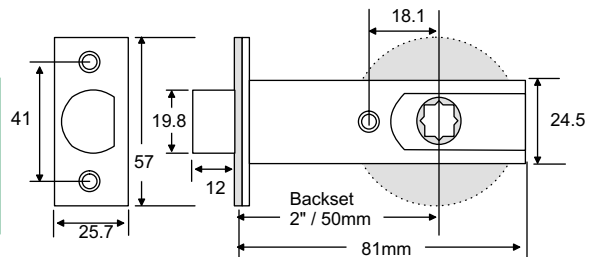
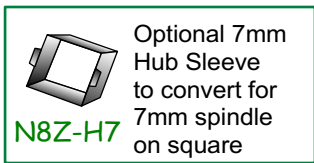
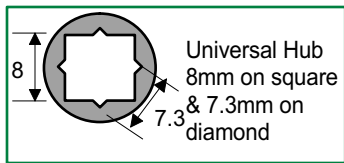
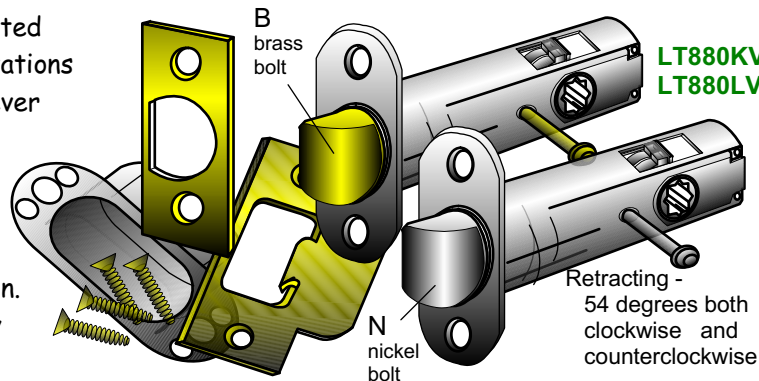
5 mm spindle

Model No.	Backset	Tongue / Finish	Faceplate / Strike finishes available
D400-DA 50B-__	50mm (2")	Satin Brass (B)	US10B, 14, 15, 15A, 19, 26, 26D, 3, 3N, 32, 32D, 4, 5, 9
D400-DA 50N-__	50mm (2")	Satin Nickel (N)	

Model LT880 Tubular Latch can be operated both clockwise and counter-clockwise rotations on either side, available with Knob and Lever strengths. The forged solid brass bolt is reversible to facilitate door handing. Supplied with satin brass "B" or satin nickel "N" finishes.

Latch is constructed with Privacy function. Eliminating the installation of the Privacy Pin works as a passage latch.

Finishes: US10, 10B, 14, 15, 15A, 19, 26, 26D, 3, 32D, 4, 5, & 9



Note: The Privacy function has an anti-lock feature. Depressing the latch bolt by strike when door is closing, or operating the inside Knob/Lever unlocks the latch.

Model No.	Backset	Function	Tongue / Finish	Faceplate/strike finish
LT880 KV8B-__	50mm(2")	Privacy, Knob/Knob	Satin Brass (B)	US10, 10B, 14, 15, 15A
LT880 KV8N-__	"	"	Satin Chrome (C)	19, 26, 26D, 3, 3N, 32, 32D, 4, 5 & 9
LT880 LV8B-__	"	Privacy, Lever/Lever		
LT880 LV8N-__	"	"		