

*Fold on dotted line and attach to the door at desire height. Mark the position of necessary lines for Face and Edge bore. Please read this template and the Trim set installation menu carefully before drilling and mortising the door.*

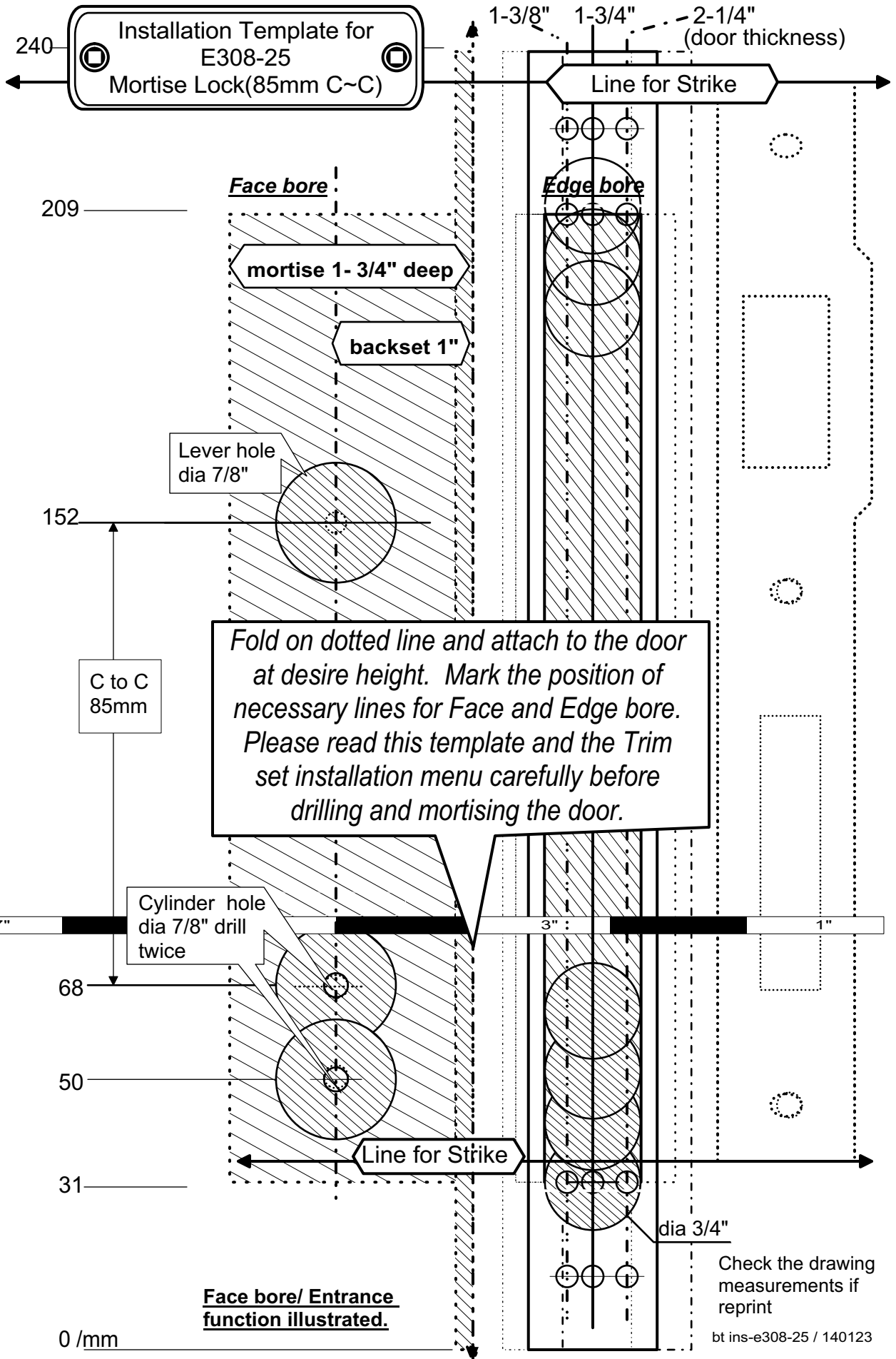
Check the drawing measurements if reprint

bt ins-e308-25 / 140123

**Face bore/ Entrance function illustrated.**

0 /mm





240 — Installation Template for E308-25 Mortise Lock (85mm C~C)

1-3/8" 1-3/4" 2-1/4" (door thickness)

Line for Strike

209

Face bore

Edge bore

mortise 1-3/4" deep

backset 1"

Lever hole dia 7/8"

152

C to C 85mm

*Fold on dotted line and attach to the door at desire height. Mark the position of necessary lines for Face and Edge bore. Please read this template and the Trim set installation menu carefully before drilling and mortising the door.*

Cylinder hole dia 7/8" drill twice

7"

3"

1"

68

50

Line for Strike

31

dia 3/4"

Check the drawing measurements if reprint

**Face bore/ Entrance function illustrated.**

0 /mm

bt ins-e308-25 / 140123

