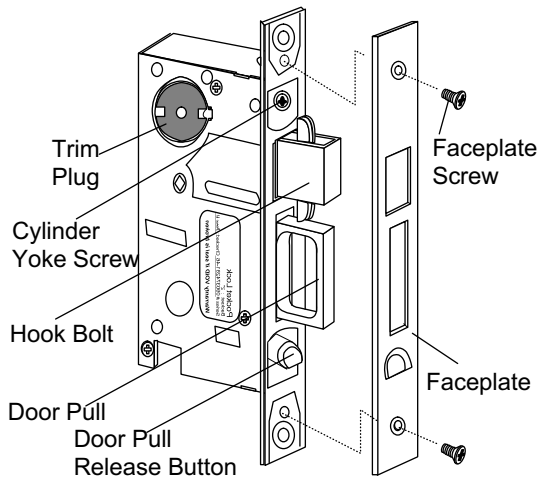


Installation Menu for A578 CT Pocket Lock with TA10-CT Entrance Trim

Part 1 - A578CT Pocket Lock Case



Use the Template No. A578-CT2a and A578-CT2b enclosed for

- Edge bore on door for Pocket lock case
- use Template #A578-CT2a for Interior Face bore for Trim TA10-P
- use Template #A578-CT2b for Exterior Face bore for Trim TA10-C
- Mortise on door jam for Strike Block Assemblage

A) Install Pocket lock case -

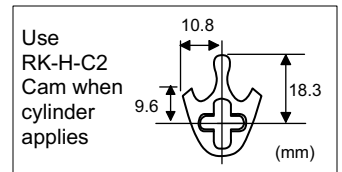
- Remove the Faceplate by unscrewing the Faceplate Screws x 2
- The TrimPlug must be set at the interior side. If not, loosen the Cylinder Yoke Screw and remove Trim Plug and reset at the interior side. Line up the 2 slots horizontally with the lock case.
- Insert the A578 Pocket Lock Case into the mortise from the door edge and secure with the Mounting Screws x 2.

B) Install Interior Privacy Trim -

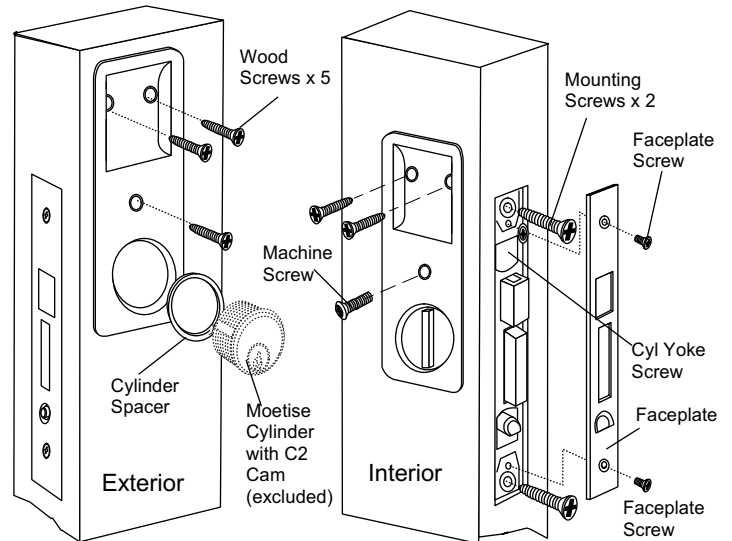
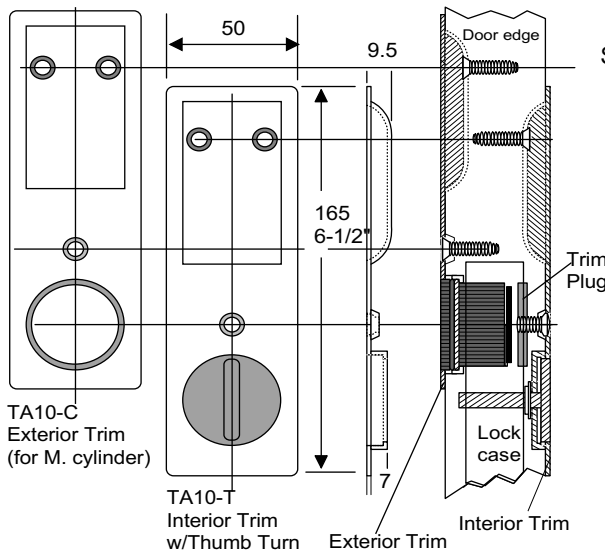
- Use the door edge to measure the length of breakable tail needed and snap off the excess by using two pliers.
- Rotate the T Turn of the Trim (TA10-T) to vertical and insert the tail into the Hook Bolt hub.
- Fasten a) the center Machine Screw to the Trim Plug, and then b) fasten the two upper Wood Screws

C) Install Exterior Entrance Trim -

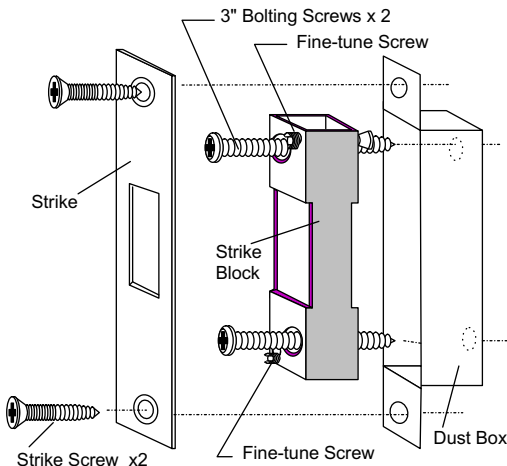
- Apply the exterior Trim (TA10-C) and drive in the Mortise Cylinder with Cylinder Spacer (if necessary)
- Fasten Cylinder Yoke Screw
- Line up the trim location; test the cylinder operation and then Fasten the Wood Screws x 3
- Apply the Faceplate and fasten with Faceplate Screws x 2.



Part 2 - TA10-CT Trim Set



Part 3 - Strike Block Assemblage



D) Install the Strike Block Assemblage

- Locate the Dust Box and Strike Box into the mortise of the door Jam. Make sure the opening of the Strike Block levels with the Hook Bolt of the lock case; then bolt with the Bolting Screws.
- Closed the door and lock the door with the T Turn.
 - If the lock can be locked and unlocked but shows too much gap between the door and jam, you may have to install the Strike Block and Dust Box at a greater depth, by adjusting the Fine Tune Screws or mortise the jam deeper.
 - If the Hook Bolt can not be thrown at all; the height of Strike Block may not be level with the Hook Bolt of the lock. Adjust the height of the Strike Block installed.
 - If the Hook Bolt can be thrown but can not lock the door, the Strike Block may be installed too deep. Loosen the Bolting Screws and adjust the depth of the Strike Block by using the Fine Tune Screws until the proper depth is located.
- Apply the finished Strike and fasten with the 2 Strike Screws.