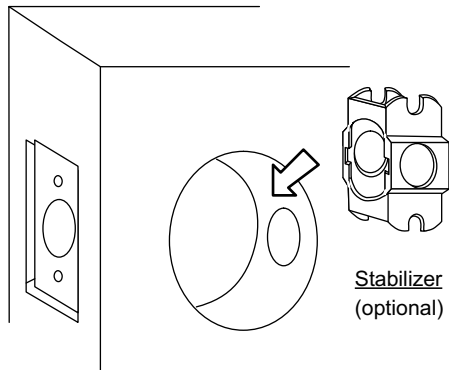
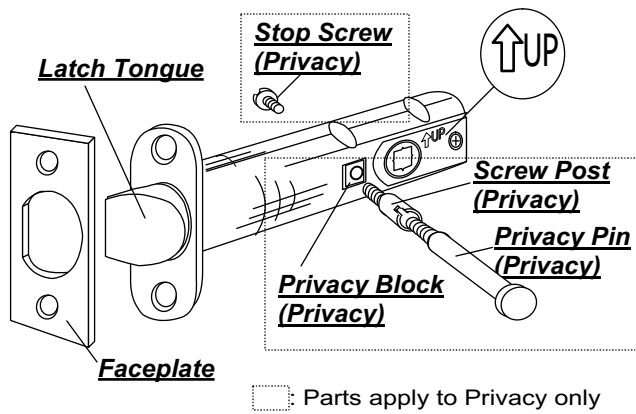


# Installation Instruction for LT783/786 LS/LV Tubular Latch



- Step 1 - Remove the **Blocking Screw** from the Latch
- Step 2 - Insert the Nylon **Stabilizer** onto door bore
- Step 3 - Insert the **Latch** from door edge at the direction as indicated on latch and engaged with the **Stabilizer**
- Step 4 - Rotate the **Latch Tongue** to match the door handing, attach the **Faceplate** and fasten with Screws
- Step 5 - Fasten the **Stop Screw** onto the **Privacy Block** at the exterior side of the Latch/door
- Step 6 - Fasten the **Screw Post** onto the **Privacy Block** at the interior side.
- Step 7 - Follow the Lever/Trim set installation instruction to install the Lever/Trim set.
- Step 8 - Fasten the **Privacy Pin** onto **Screw Post** from the pin hole of the interior Rosette/Trim
- Step 9 - Test before closing the door!!
  - Depress the **Privacy Pin** to lock, the exterior Lever is rigid.
  - Operate the interior Lever to retract the **Latch**; it frees the exterior Lever simultaneously.
  - Anti-lockout test - depress the **Privacy Pin** to lock the latch; depress the **Latch Tongue** as if closing the door, the **Privacy Pin** pops up and frees the exterior Lever simultaneously.

**Note:**  
**For Passage application, skip Steps 1,5, 6, 8 & 9.**