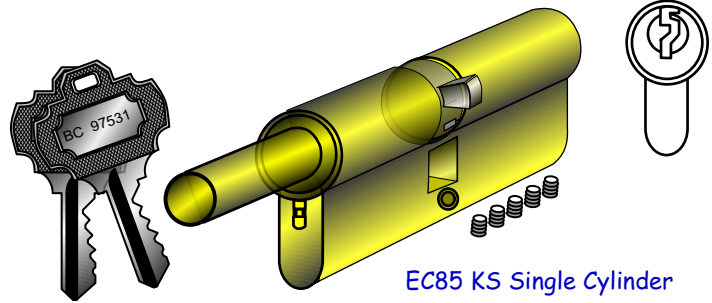
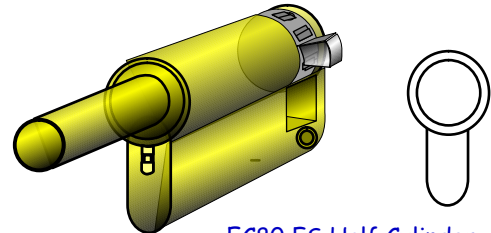
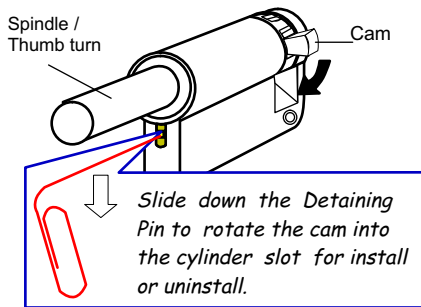
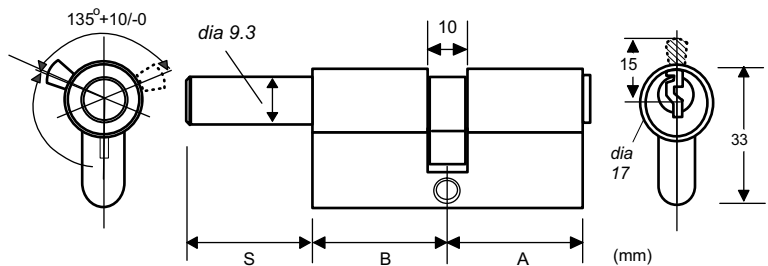


Baton models EC80FS T Turn half and EC85KS Key + Turn Profile Cylinders are featured with a rotation detained mechanism, particularly designed for Euro Mortise Lock case that does not need to full turn to lock/unlock the door.



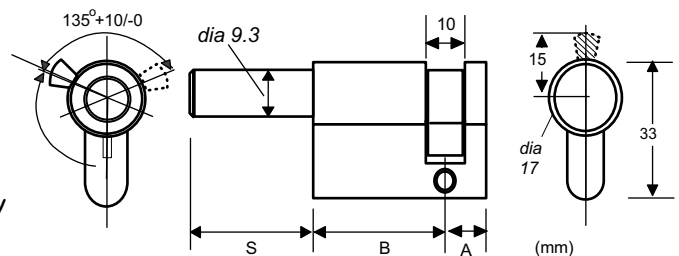
EC85 KS Single Cylinder
Key + Turn Spindle, 5-pin
less T Turn

The spring loaded detained pin is located within the opening slot at the thumb turn spindle side of the cylinder that facilitates the detaining key or T turn rotation, and for install / uninstall availabilities.

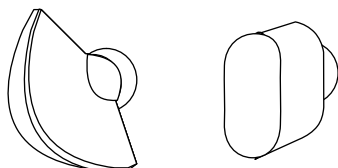


EC80 FS Half Cylinder
less Thumb Turn

Upon installed, rotate the cam by key or the T turn either way for about 1/3 turn to activate the detaining feature. Now the key operates the cylinder either way to lock/unlock, and the key can be removed by turning back to 12 o'clock position - same as to work a common KIK or Deadbolt cylinder. The interior T turn locks/unlocks within the same detained angles too. 'Schlage-C' keyway, 5 pins.



'Crescent' or 'Oval' style turn knob can be purchased separately.



Products	Stock No	Size (mm)				Finish		List price
		A	B	S	Pins	10B	3N	
Half Cylinder less Turn Knob	EC80 FS 1020	10	20	20	--	●	44.80	
	EC80 FS 1023	10	20	30	--	●	47.80	
Key + Turn/Spindle less Turn Knob	EC85 KS 3620	36	20	20	5	●	76.60	
	EC85 KS 3623	36	20	30	5	●	79.60	

" ● " : in stock

E15a