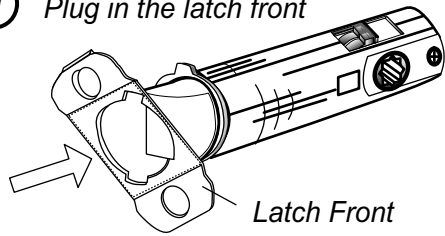


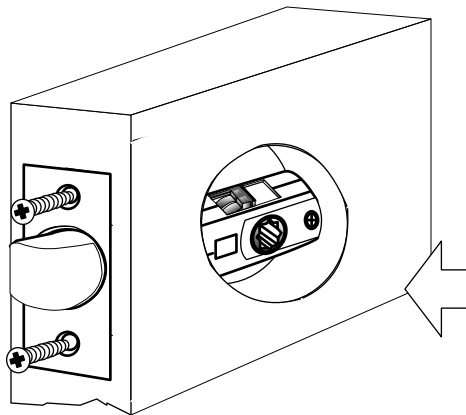
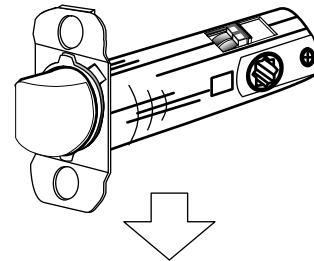
# Bevel- Latch front Installation menu

- for LT673/676/683/686

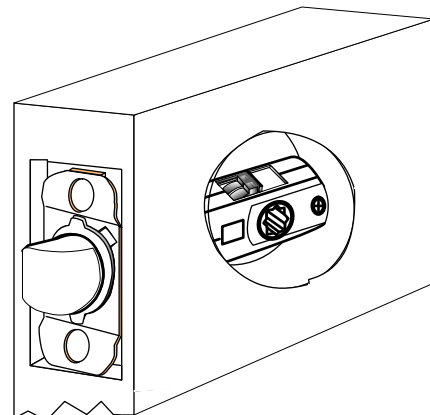
① Plug in the latch front



② Rotate the Latch Front to vertical,



④ Rotate the Latch Tongue to meet the handing, attach the Faceplate and fasten with wood screws x 2



③ Plug the Latch and Latch Front into the edge bore hole in place for flat or beveled mount.

If Stabilizer LT-MA186 or MA281 is optional, insert the stabilizer into the facebore hole first and then plug the Latch to integrate

