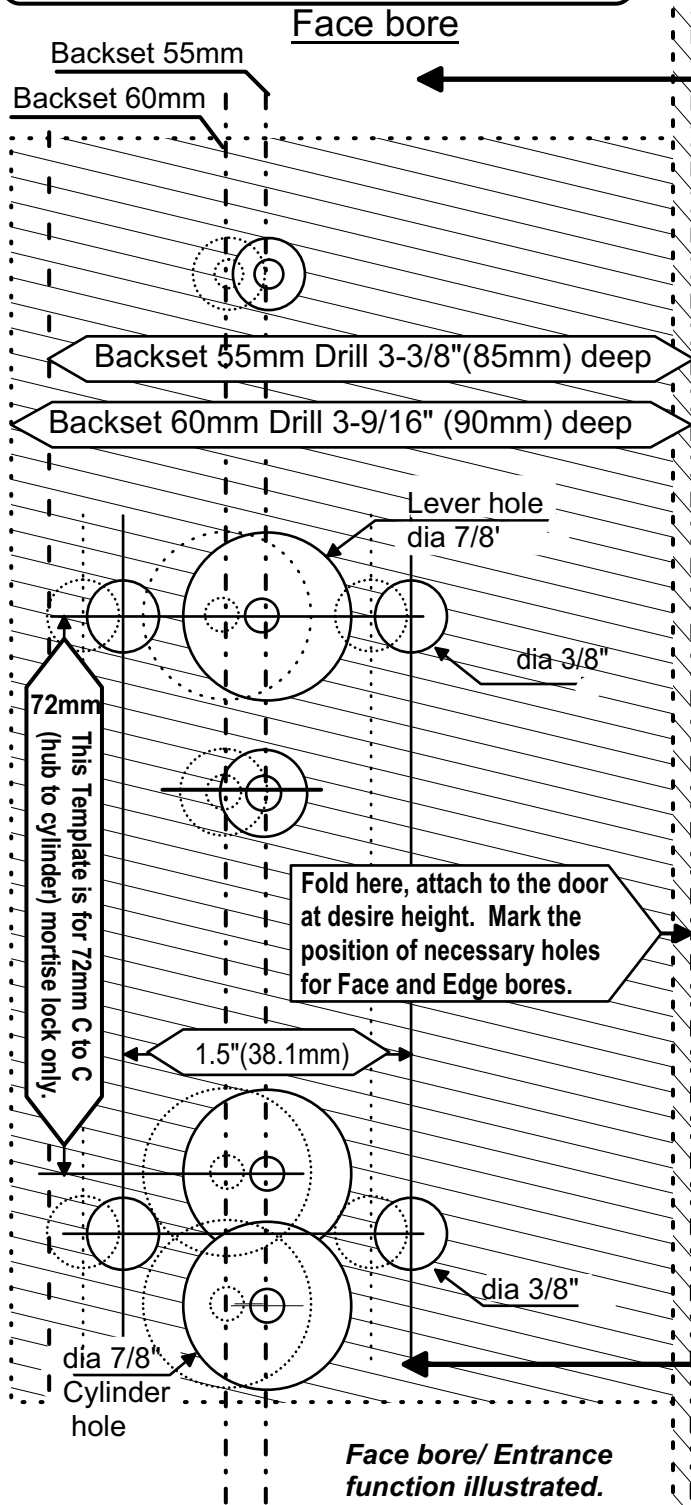
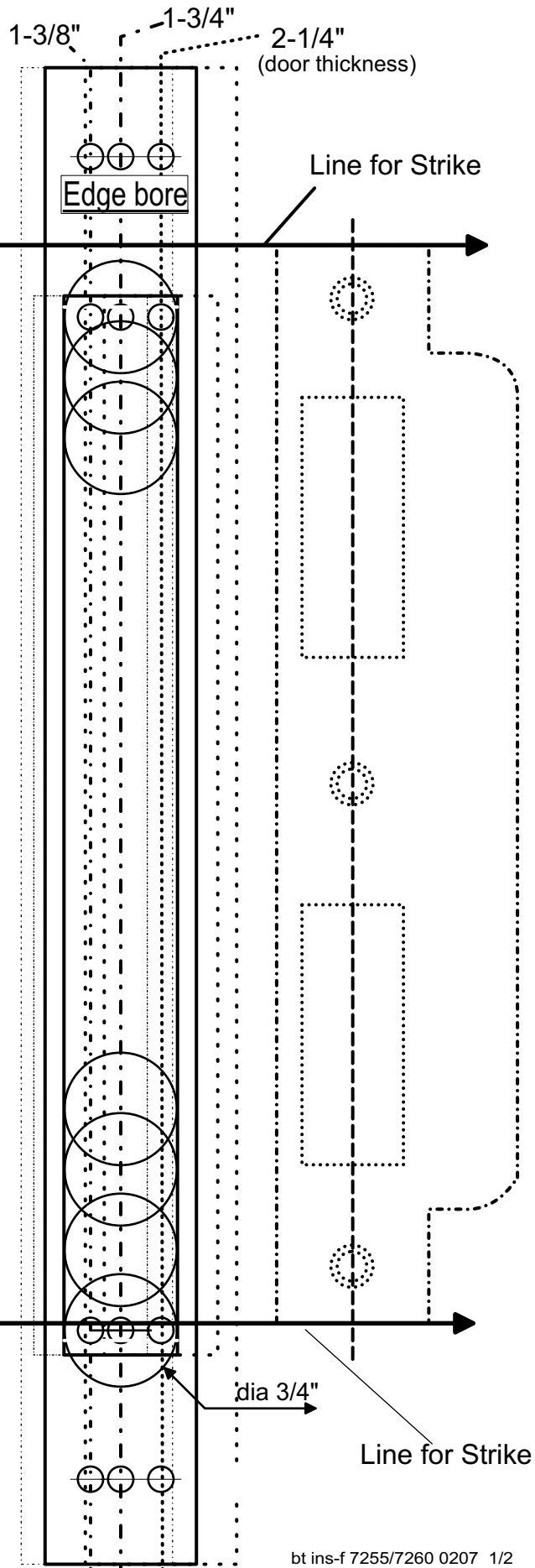


**Installation Template for
 F400 series Mortise Lock
 backset 55 & 60mm**

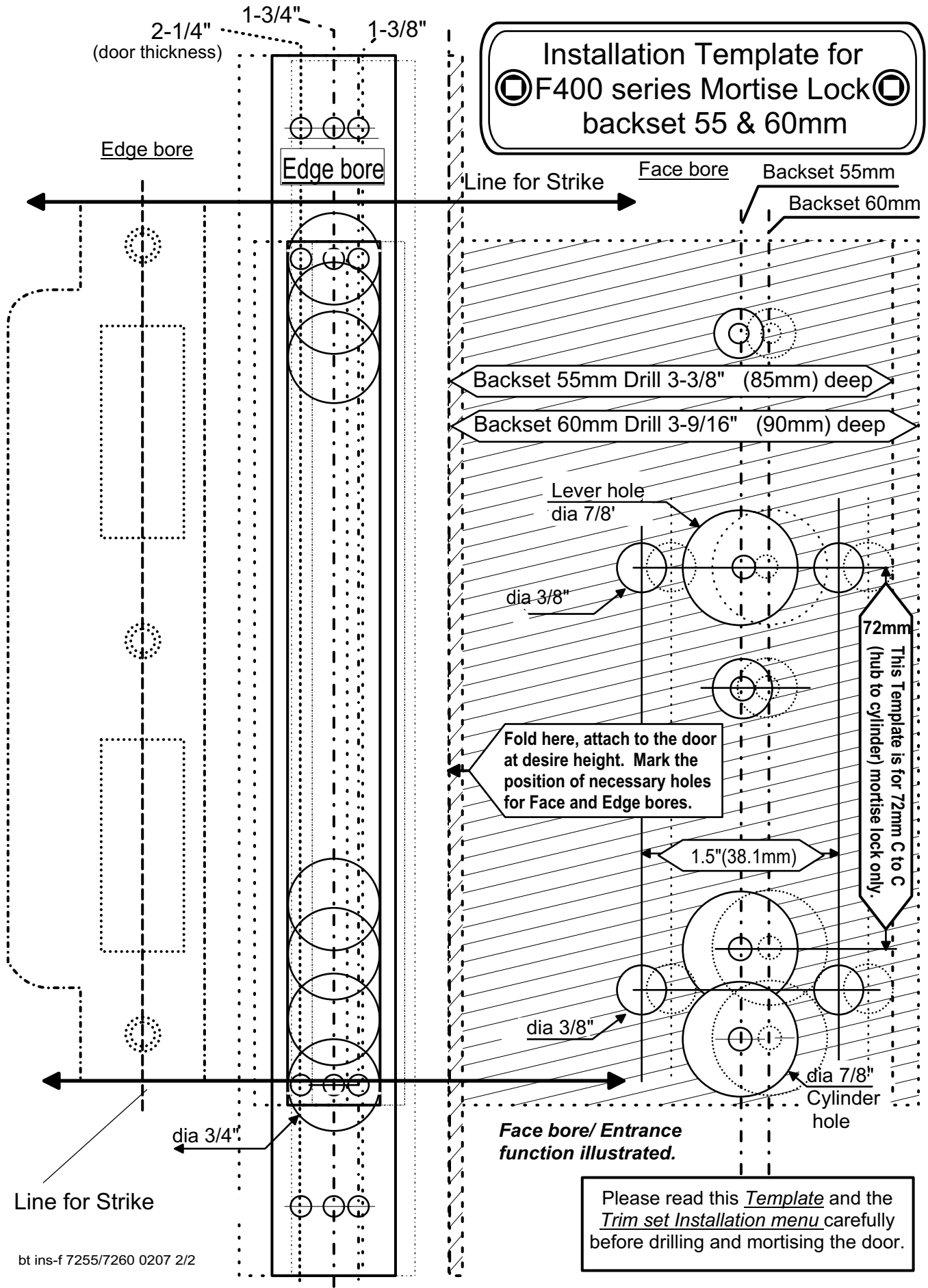


Fold here, attach to the door at desire height. Mark the position of necessary holes for Face and Edge bores.

Please read this *Template* and the *Trim set Installation menu* carefully before drilling and mortising the door.



**Installation Template for
 F400 series Mortise Lock
 backset 55 & 60mm**



Line for Strike Face bore Backset 55mm
 Backset 60mm

Backset 55mm Drill 3-3/8" (85mm) deep
 Backset 60mm Drill 3-9/16" (90mm) deep

Lever hole
 dia 7/8"

dia 3/8"

72mm
 This Template is for 72mm C to C
 (hub to cylinder) mortise lock only

Fold here, attach to the door
 at desire height. Mark the
 position of necessary holes
 for Face and Edge bores.

1.5"(38.1mm)

dia 3/8"

dia 7/8"
 Cylinder
 hole

Face bore/ Entrance
 function illustrated.

Please read this *Template* and the
Trim set Installation menu carefully
 before drilling and mortising the door.