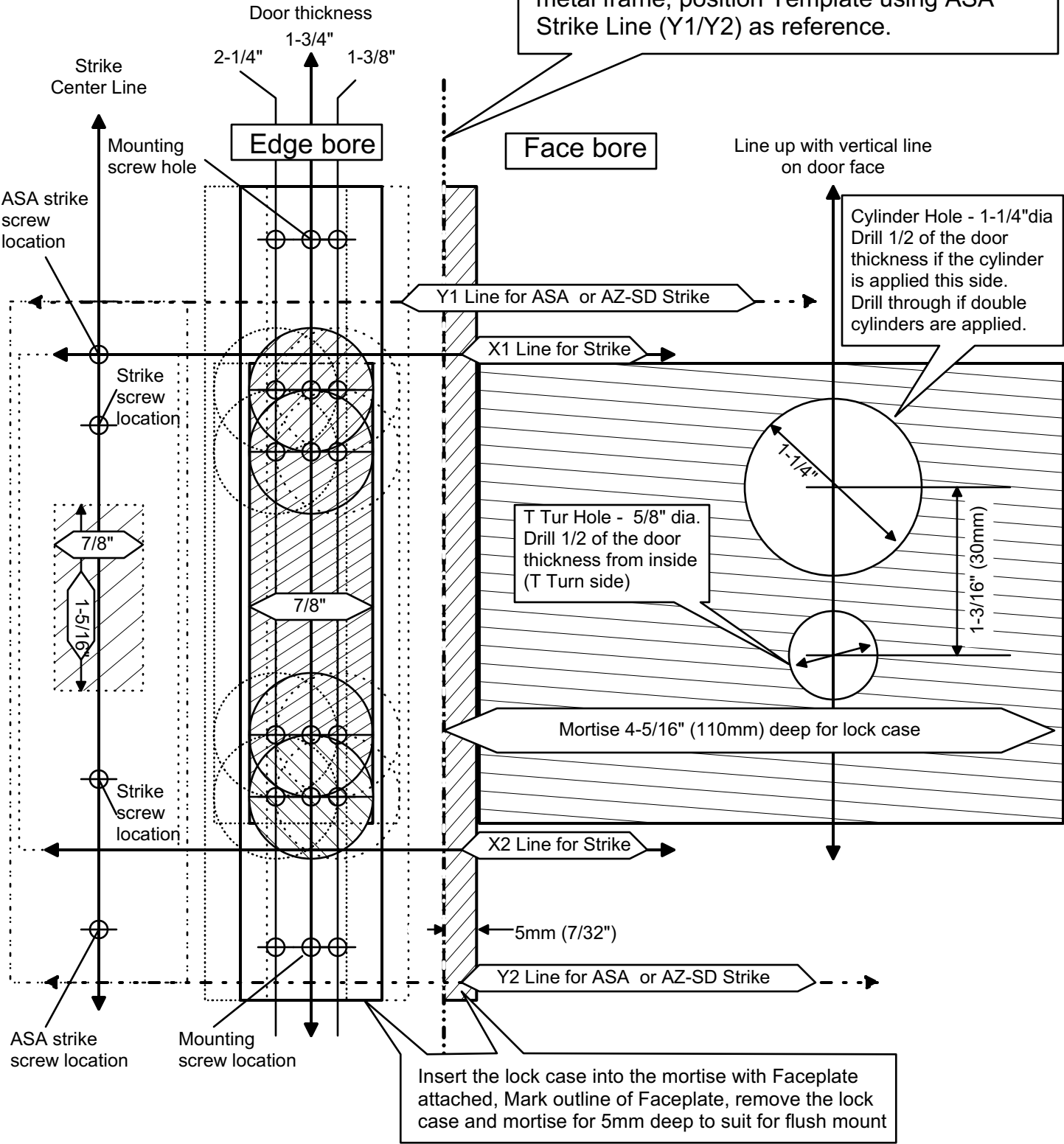


Template for A775 Dead/Hook lock

For 1-3/4" thick door, fold here, attached to the door at desire height. Mark the position of necessary holes for Face bore and Edge bore. If mortise for Strike has already been made in metal frame, position Template using ASA Strike Line (Y1/Y2) as reference.



Template for A775 Dead/Hook lock

For 1-3/4" thick door, fold here, attached to the door at desire height. Mark the position of necessary holes for Face bore and Edge bore. If mortise for Strike has already been made in metal frame, position Template using ASA Strike Line (Y1/Y2) as reference.

