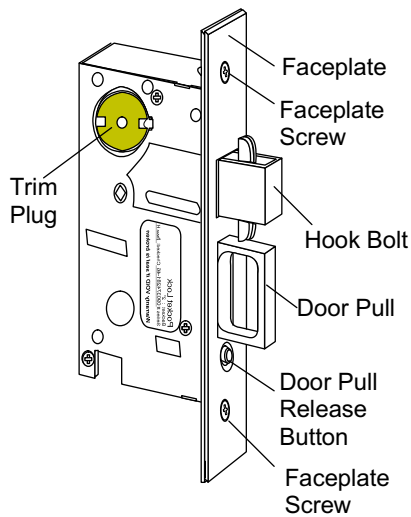


Installation Menu for A578 PT Pocket Lock with TA10-PT Privacy Trim

Part 1 - A578PT Pocket Lock Case



Use the Template No. A578-PT2 enclosed for
 a) Edge bore on door for Pocket lock case
 b) Face bore on door for Trim set
 c) Mortise on door jam for Strike Block Assemblage

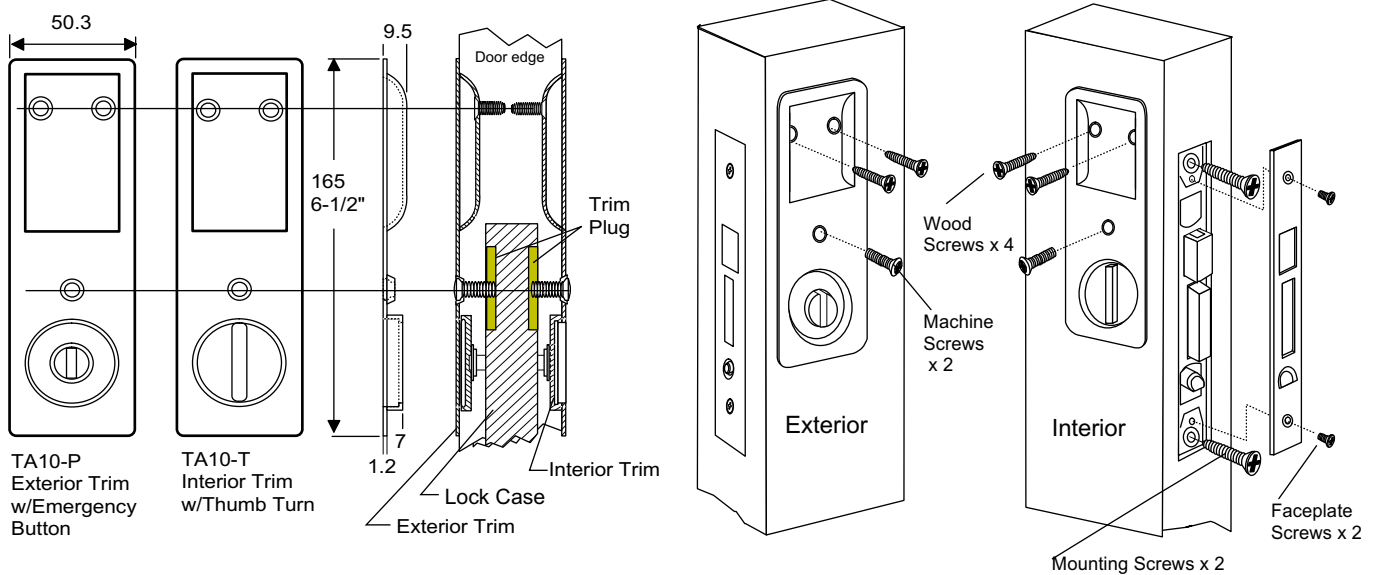
A) Install Pocket lock case -

- Step 1 - Remove the Faceplate by unscrewing the Faceplate Screws x 2
- Step 2 - Insert the A578 Pocket Lock Case into the mortise from the door edge and secure with the Mounting Screws x 2.
- Step 3 - Apply the Faceplate and fasten with Faceplate Screws x 2

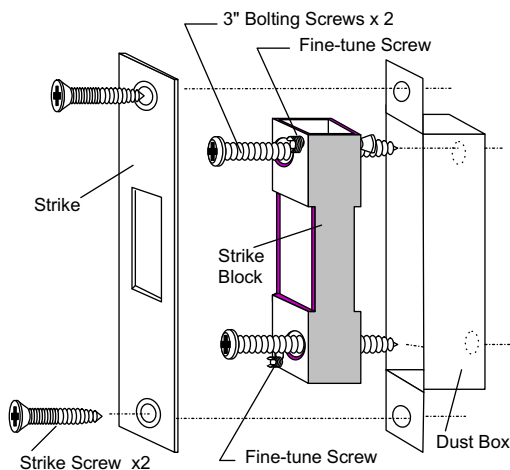
B) Install Privacy Trim set -

- Step 1 - Use the door edge to measure the length of breakable tail needed and snap off the excess by using two pliers.
- Step 2 - Rotate the T Turn of the Trim (TA10-T) to vertical and insert the tail into to the Hook Bolt hub.
- Step 3 - Fasten a) the center Machine Screw to the Trim Plug, and then b) fasten the two upper Wood Screws
- Step 4 - Apply the exterior Trim (TA10-P); fasten a) the center Machine Screw to the Trim Plug, and then b) fasten the two upper Wood Screws

Part 2 - TA10-PT Trim Set



Part 3 - Strike Block Assemblage



C) Install the Strike Block Assemblage

- Step 1 - Locate the Dust Box and Strike Block into the mortise of the door Jam. Make sure the opening of the Strike Block levels with the Hook Bolt of the lock case; then bolt with the Bolting Screws.
- Step 2 - Closed the door and lock the door with the T Turn.
 - a) If the lock can be locked and unlocked but shows too much gap between the door and jam, you may have to install the Strike Block and Dust Box at a greater depth, by adjusting the Fine Tune Screws or mortise the jam deeper.
 - b) If the Hook Bolt can not be thrown at all; the height of Strike Block may not be level with the Hook Bolt of the lock. Adjust the height of the Strike Block installed.
 - c) If the Hook Bolt can be thrown but can not lock the door, the Strike Block may be installed too deep. Loosen the Bolting Screws and adjust the depth of the Strike Block by using the Fine Tune Screws until the proper depth is located.
- Step 3 - Apply the finished Strike and fasten with the 2 Strike Screws.